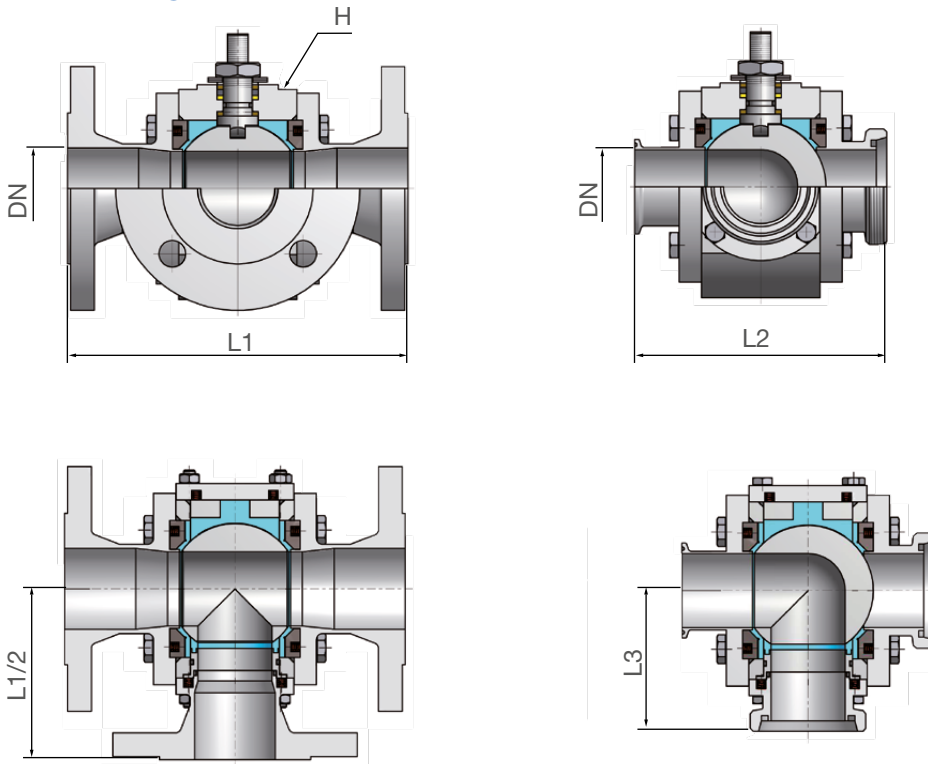


**ATEC mating dimensions**

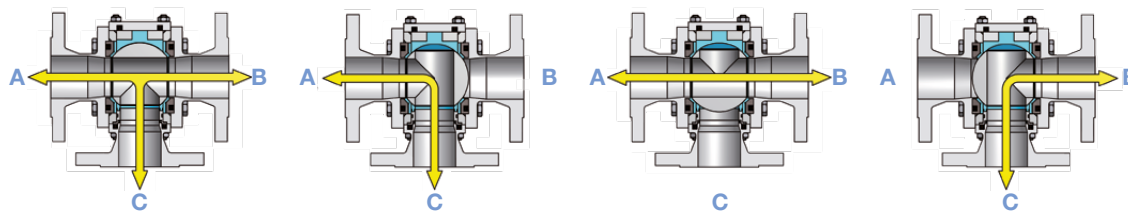


DN	L1	L1/2	L2	L3	H
15	140	80	100/120*	65	F04
25	160	80	120	71	F04
40	200	100	160	87	F05
50	230	115	170	95	F05
65	290	145	200	100/110**	F07
80	310	156	230	125	F07
100	350	175	270	135	F10

\* L2 for thread acc. to DIN 11851

\*\* L3 for thread acc. to DIN 11851

**Ballposition with T-Ball**



**Ballposition with L-Ball**

