

3-way ball-valve

# TYPE **ecoline**



Armaturenbau und -Technik GmbH

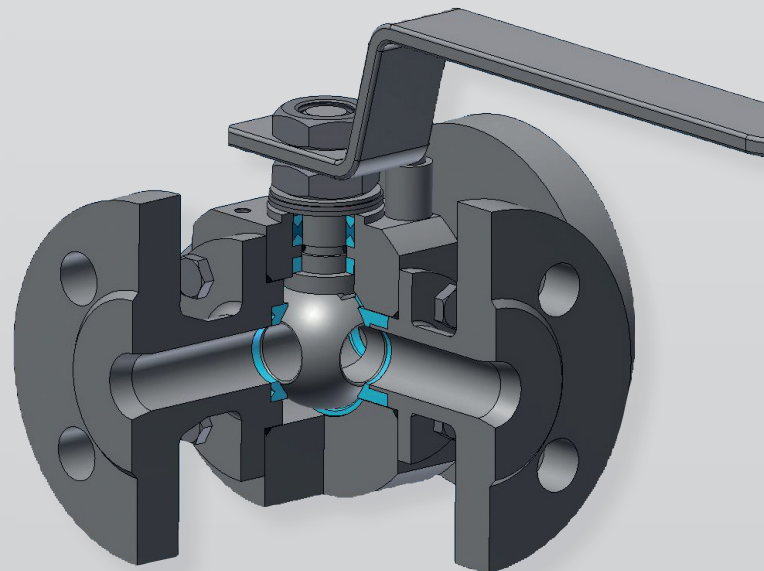
## Cavity free / with cavity



- DN15 – DN50
- PN16/40
- Temperature of -20°C to +200°C

Can be used in the following industries:

- Food
- Pharma
- Fine chemistry
- Cosmetics



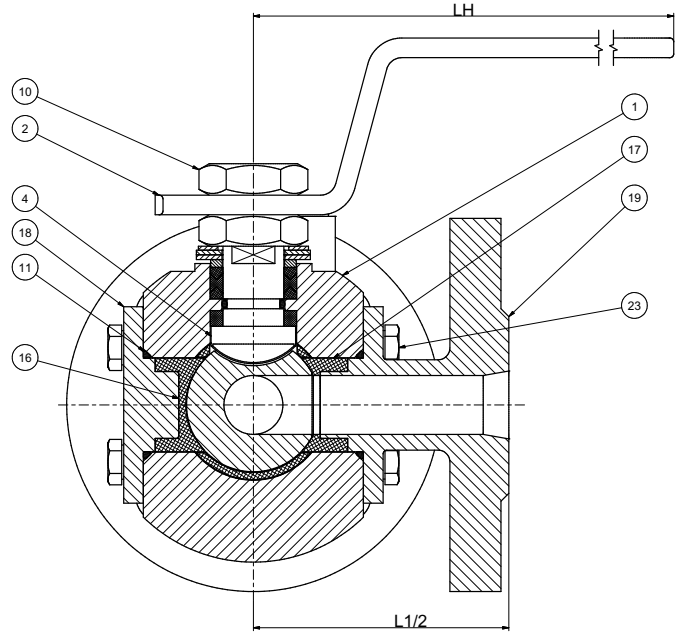
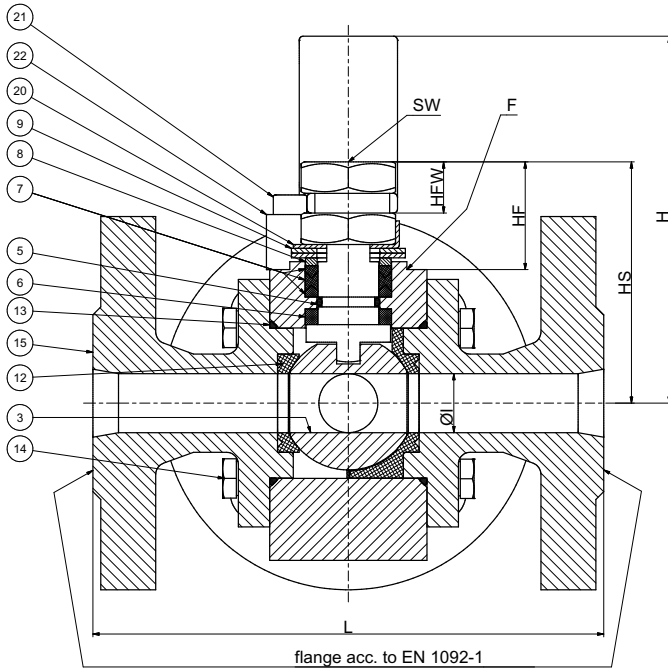
- Face-to-face length to EN 558-1
- Product contact faces Ra<0,8
- Made of bar stock
- TA-Luft to VDI 2440
- Certificate DIN EN 10204-3.1
- Tightness to DIN EN 12266-1 leakage rate A

- FDA
- Full bore



TÜVRheinland®  
**CERT**  
ISO 9001

 made  
in  
Germany



Connections further standard:

- Thread acc. to DIN 11851
- Weld end acc. to DIN 11850
- Clamp acc. to DIN 32676
- Aseptics grooved flange acc. to DIN 11864/2

## BOM

Pos.	Name	e.g. material	Notice	Pos.	Name	e.g. material	Notice
01	body	316L		13	o-ring	Viton/FDA	X
02	hand lever	304		14	hxg. screw	A2-70	
03	T-ball	316L	X	15	side part	316L	
04	stem	316L		16	seat ring counter bearing	PTFE/FDA	X
05	o-ring	Viton/FDA	X	17	seat ring side part 3. way	PTFE/FDA	X
06	sealing disc	PTFE/FDA	X	18	blind flange	316L	
07	TA-Luft packing	PTFE	X	19	side part 3. way	316L	
08	pressure ring	316L		20	lock plate	304	
09	belleveille spring	631		21	zyl. screw	A2-70	
10	hxg. nut	A2-70		22	body stop	316L	
11	o-ring	Viton/FDA	X	23	hxg. screw	A2-70	
12	seal half/seat ring	PTFE/FDA	X	24	-	-	-

X = space parts

## ATEC Dimensions

DN	L-thread		L-flange		L-weld end		L-clamp		L-aseptics		ØI	LH	H	HS	HF	HFW	SW	F
	L	L1/2	L	L1/2	L	L1/2	L	L1/2	L	L1/2								
15	120	60	130	65	100	50	100	50	130	65	15	186	93	61	27	13	11	04
25	120	70	160	80	120	70	120	70	160	80	26	186	103	73	33	15	11	05
40	160	85	200	100	160	85	160	85	200	100	38	295	136	96	39	20	14	07
50	170	95	230	115	170	95	170	95	230	115	50	295	147	105	38	18	14	07