

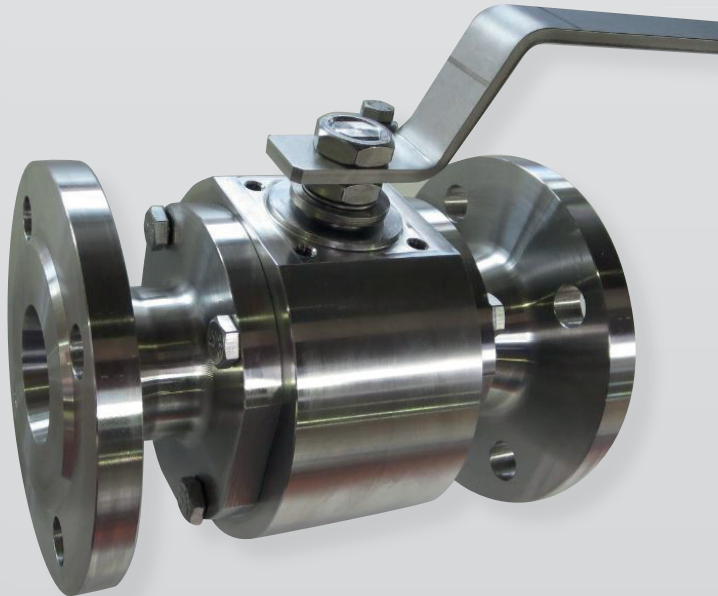
2-way ball-valve

TYPE **ecoline**



Armaturenbau und -Technik GmbH

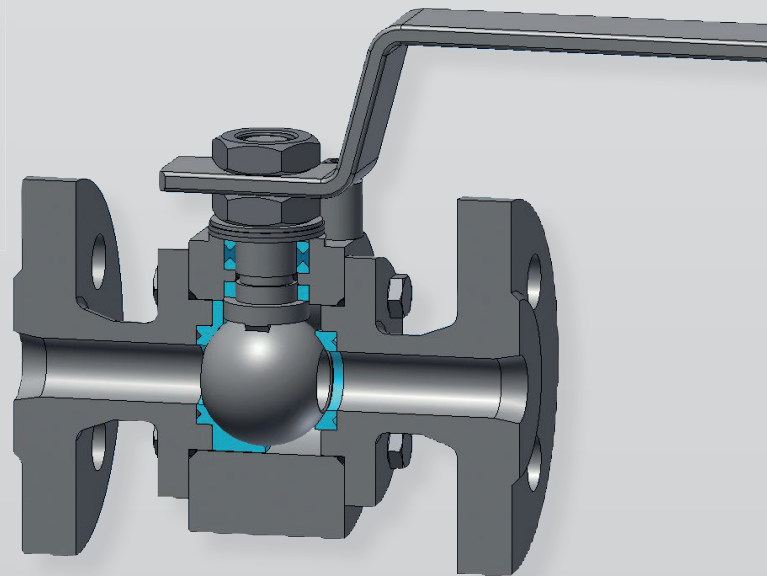
Cavity free / with cavity



- DN15 – DN50
- PN16/40
- Temperature of -20°C to +200°C

Can be used in the following industries:

- Food
- Pharma
- Fine chemistry
- Cosmetics



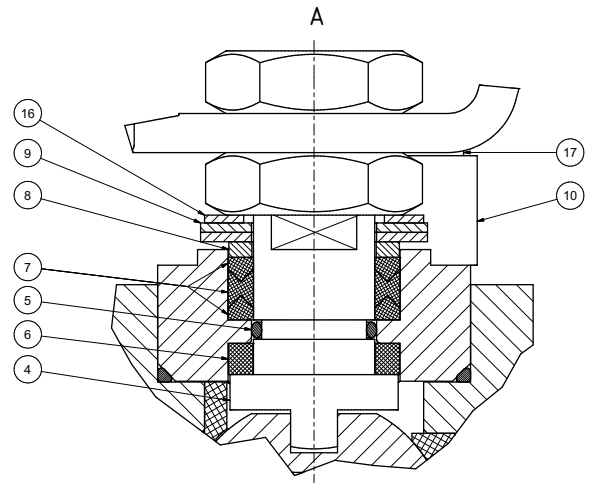
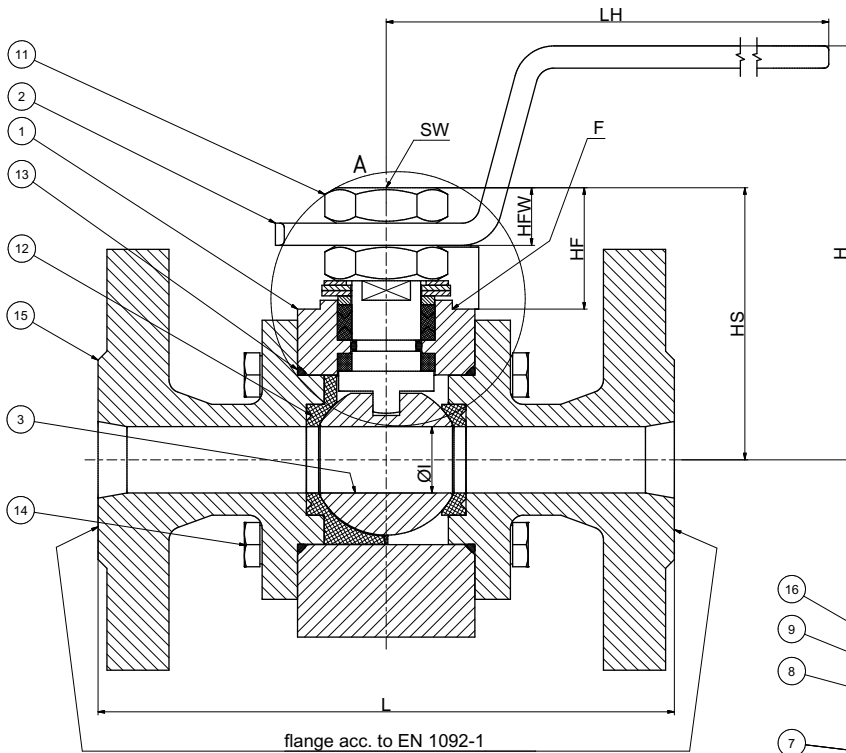
- Face-to-face length to EN 558-1
- Product contact faces Ra<0,8
- Made of bar stock
- TA-Luft to VDI 2440
- Certificate DIN EN 10204-3.1
- Tightness to DIN EN 12266-1 leakage rate A

- FDA
- Full bore



TÜVRheinland®
CERT
ISO 9001

 made
in
Germany



Connections further standard:

- Thread acc. to DIN 11851
- Weld end acc. to DIN 11850
- Clamp acc. to DIN 32676
- Aseptics grooved flange acc. to DIN 11864/2

BOM

Pos.	Name	e.g. material	Notice	Pos.	Name	e.g. material	Notice
01	body	316L		10	body stop	316L	
02	hand lever	304		11	hxg. nut	A2-70	
03	ball	316L	X	12	seal half/seat ring	PTFE/FDA	X
04	stem	316L		13	o-ring	Viton/FDA	X
05	o-ring	Viton/FDA	X	14	hxg. screw	A2-70	
06	sealing disc	PTFE/FDA	X	15	side part	316L	
07	TA-Luft packing	PTFE	X	16	lock plate	304	
08	pressure ring	316L		17	cyl. screw	A2-70	
09	belleveille spring	631		18	-	-	-

X = space parts

ATECO Dimensions

DN	L-thread	L-flange	L-weld end	L-clamp	L-aseptics	ØI	LH	H	HS	HF	HFW	SW	F
15	120	130	100	100	130	15	186	93	61	27	13	11	04
25	120	160	120	120	160	26	186	103	73	33	15	11	05
40	160	200	160	160	200	38	295	136	96	39	20	14	07
50	170	230	170	170	230	50	295	147	105	38	18	14	07