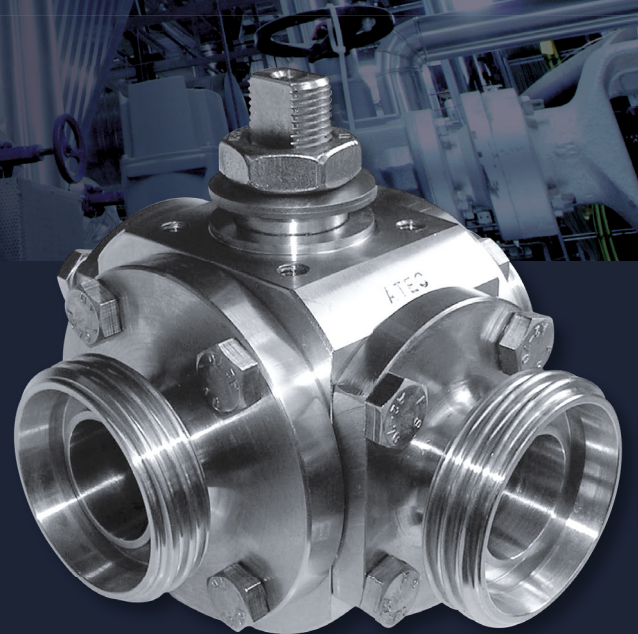


SPECIAL-BALL-VALVE **TYPE MW**

CAVITY FREE MULTI WAY BALL-VALVE

- > Cavity free
- > All-side sealed
- > Spring loaded sealing system
- > Ball with T- or L-shape bore
- > Blowout proof stem

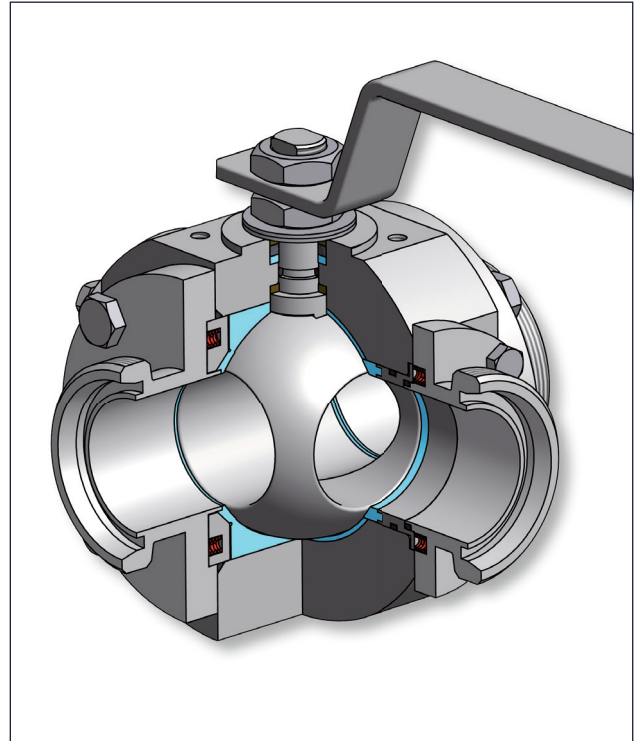
Size 1" to 4"
Pressure to 150 lbs/sq.in.
Temperature -50°C to +180°C



Results.
No experiments.



CAVITY FREE MULTI WAY BALL-VALVE



Applicable to:

Gaseous media, fluid, emulsion, syrup, paste, granulate, powder, food, etc.

Operating conditions:

max. 180°C, max. 16 bar
Suitable for vacuum service.
Exceeding parameters on request.

Design:

Cavity free, specific spring-loaded sealing system on all sides, sealing pressure adjustable by means of coil springs, blowout proof stem, ball with T- or L-shape bore.

Standard Material:

AISI 316L, AISI 316Ti; Hastelloy C22, Hastelloy C4, Duplex, Titan etc.
Ball seal: PTFE / 25% glass with FDA conformity.
O-Ring: Viton, EPDM, FEP and Kalrez with FDA conformities
Springs: AISI 316 Ti
Further material available on request.

Optional:

TA- Luft
Heating jacket
Sizes up to 10"
Temperature up to +500°C
Pressure up to 1500 lbs./sq.in.
Metallic sealing system

Connections:

Flange acc. to EN 1092-1 or ANSI B16.5
Thread acc. to DIN11851
Clamp acc. to DIN 32676
Weld end acc. to DIN 11850

Certificates:

TA-Luft
FDA-Conformity
Acceptance test certificate acc. to DIN EN 10204-3.1
BSE / TSE free
PMI
ATEX/94/9/EC

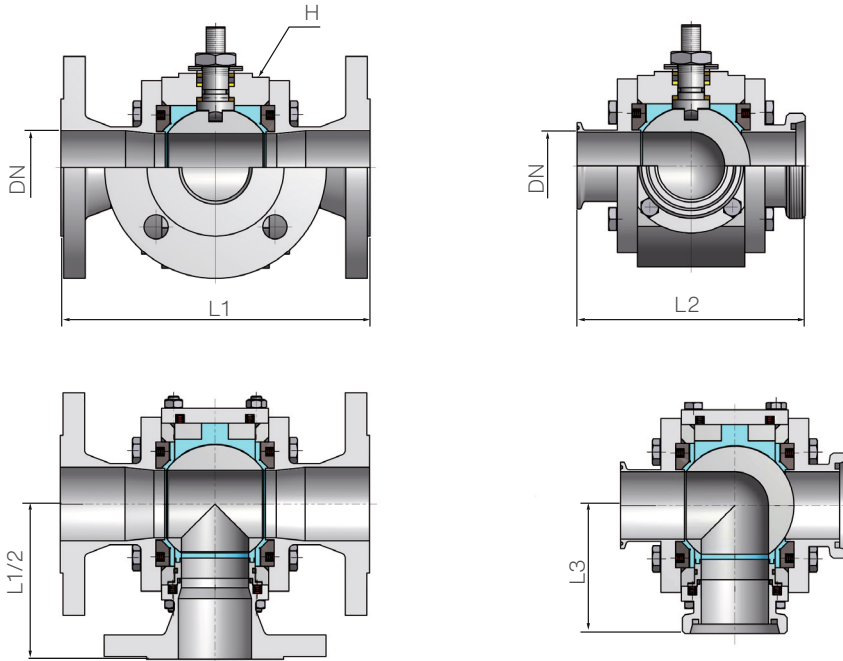
Tightness test:

API598

Actuator mounting flange:

Acc. to DIN3337 / ISO 5211

ATEC mating dimensions

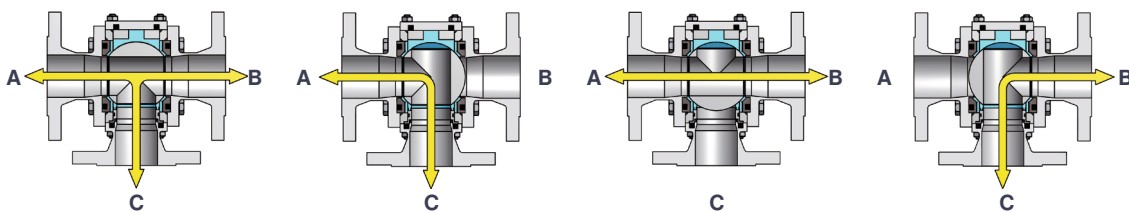


DN	L1	L1/2	L2	L3	H
15	140	80	100/120*	65	F04
25	160	80	120	71	F04
40	200	100	160	87	F05
50	230	115	170	95	F05
65	290	145	200	100/110**	F07
80	310	156	230	125	F07
100	350	175	270	135	F10

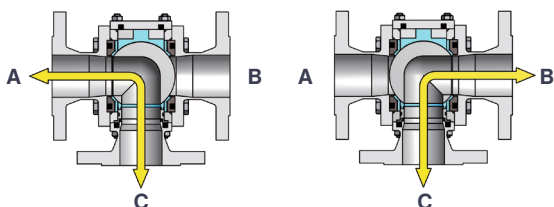
* L2 for thread acc. to DIN 11851

** L3 for thread acc. to DIN 11851

Ballposition with T-Ball

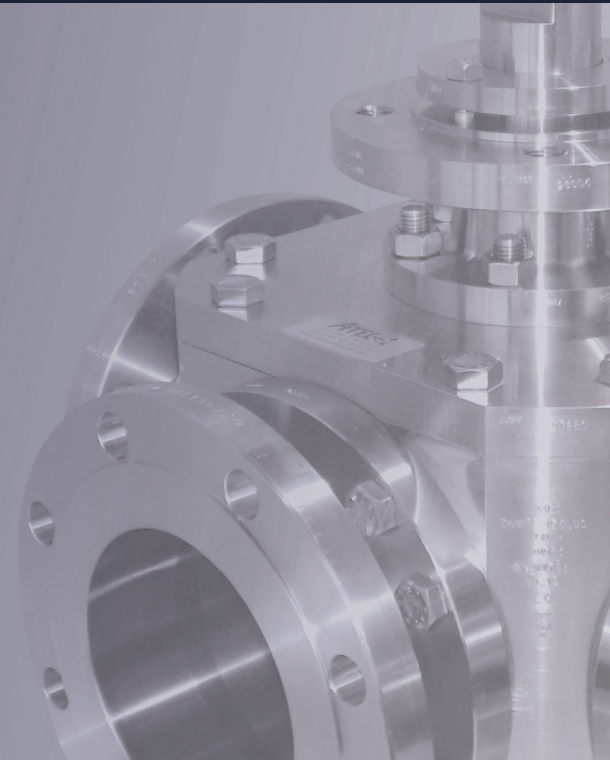


Ballposition with L-Ball



ADVANTAGES

- ▶ Almost no cavity between ball and housing
- ▶ Almost no residual product in the ball valve housing
- ▶ Approximately same torque at different temperatures
- ▶ Longer life time through spring loaded sealing system
- ▶ Exotic materials
- ▶ Special design sizes
- ▶ Short delivery time of customized ball valves and spare parts



Results.
No experiments.



Gemco Valve Company
301 Smalley Ave.
Middlesex, NJ 08846
USA

Phone Domestic: 800-654-3626
International: +1 732-733-1143
Fax: +1 732-733-1168

Website: GemcoValve.com