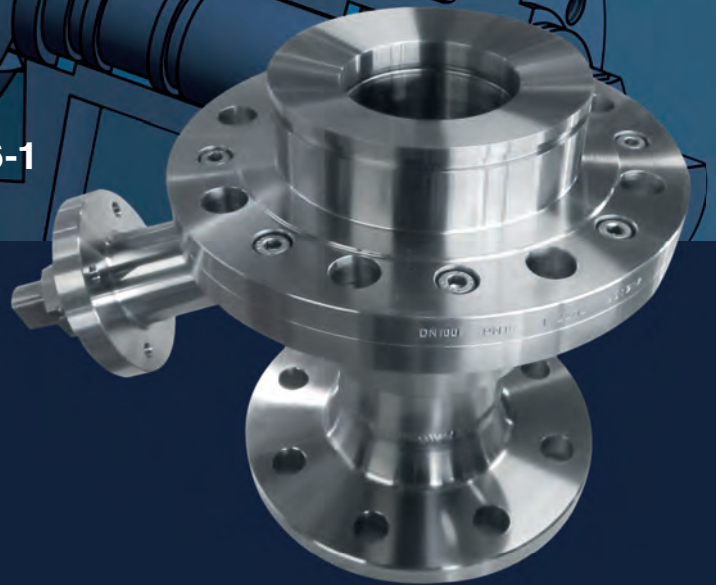


BOTTOM OUTLET BALL VALVE
TYPE ECOLINE

**CAVITY MINIMIZED/
LOW SUMP AREA**

- > Cavity minimized
- > Product contacted surface $Ra < 0,8$
- > In house production out of bar stock or forged material
- > Full bore
- > Fast track delivery
- > Connecting dimensions acc. to
DIN 28140 / PN 10 and DIN 28117 / PN 16
- > FDA
- > TA-Luft acc. to VDI 2440
- > Material certificates acc. to DIN EN
- > Tightness test acc. to DIN EN 12266-1
Leak rate A

DN 50/25 – DN 300/200
PN 10/16
Temperature -20°C up to +200°C



Results.
No experiments.



BOTTOM OUTLET BALL VALVE TYPE ECOLINE



Applicable to:

Food, Pharma, Chemical, Cosmetic

Connection to vessel:

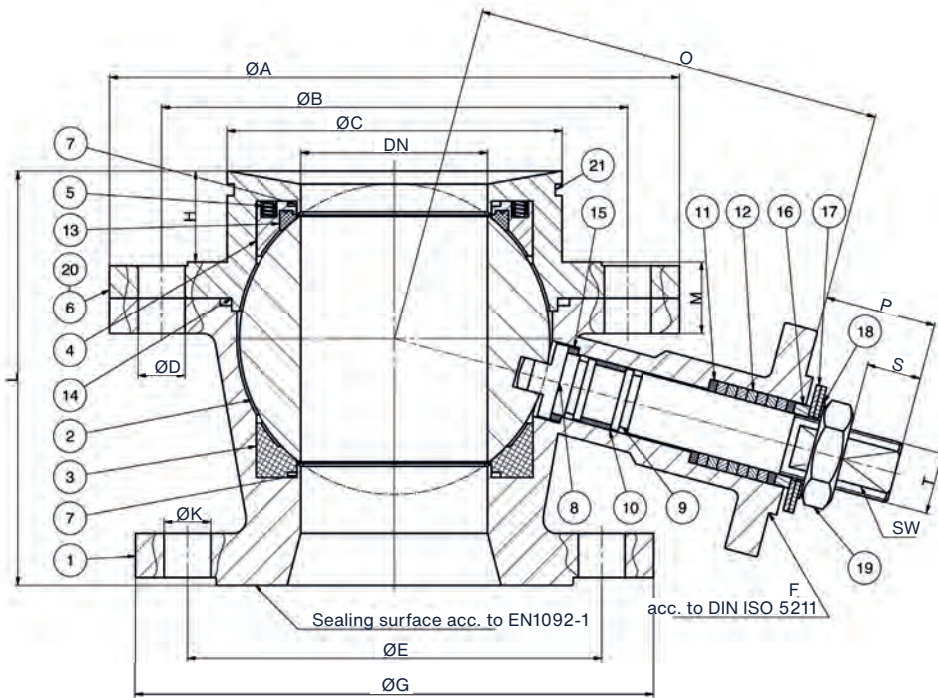
acc. to DIN 28140 / PN 10 and DIN 28117 / PN 16 FDA

Design:

Cavity minimized, In house production out of bar stock or forged material, Full bore

Tightness:

acc. to DIN EN 12266-1 Leak rate A



Possible customization:

- > Metallic sealing system
- > PEEK sealing system
- > Exotic material: titanium, nickel based alloy (Hastelloy, Incoloy, Inconel, Monel, Alloy etc.) (super) Duplex and further corrosion resistant alloys
- > Higher pressure and higher temperatures on request

parts list

Pos.	Name	Material	Notice
1	body	1.4404	
2	ball	1.4404	X
3	seal seat	PTFE/GF/FDA	X
4	pressure ring	1.4404	
5	coil springs	1.4571	
6	flange	1.4404	
7	o-ring	Viton/FDA	X
8	stem	1.4462	
9	o-ring	Viton/FDA	X
10	bearing	PTFE/FDA	X
11	sealing ring	PTFE/FDA	X

Pos.	Name	Material	Notice
12	TA-Luft-packing	PTFE	X
13	seal seat	PTFE/GF/FDA	X
14	o-ring	Viton/FDA	X
15	sealing ring	PTFE/FDA	X
16	packing bushing	1.4404	X
17	belleville springs	1.4568	
18	locking plate	1.4301	
19	nut	A2-70	
20	cyl. screw	A2-70	
21	O-Ring	Viton/FDA	X
-	-	-	

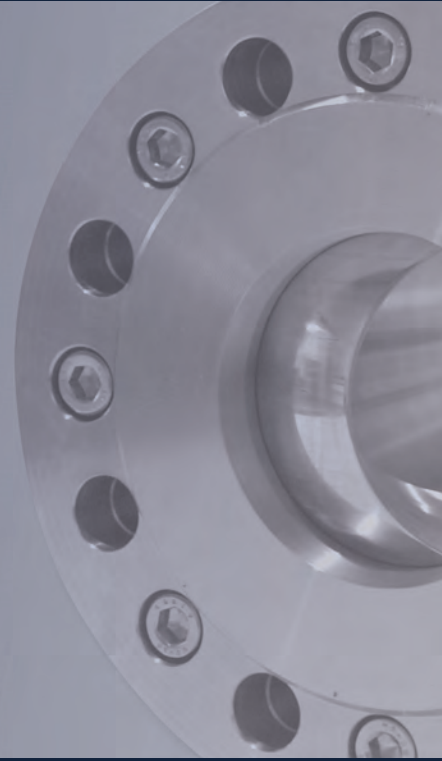
x = space parts

ATEC dimensions for pad flange DIN 28140 / PN 10

DN	ØA	ØB	ØC	D	ØE	ØG	H	K	L	M	O	P	S	T	SW	F
50/25	165	125	70	4 x Ø18	85	115	35	4 x Ø14	120	18	100	35	16	M18x1,5	11	5
80/50	200	160	95	8 x Ø18	125	165	35	4 x Ø18	150	28	138	39	19	M20x1,5	14	7
100/50	220	180	130	8 x Ø18	125	165	35	4 x Ø18	150	28	138	39	19	M20x1,5	14	7
100/80	220	180	130	8 x Ø18	160	200	35	8 x Ø18	160	28	157	43	21	M24x1,5	17	7
150/100	285	240	180	8 x Ø22	180	220	40	8 x Ø18	170	36	167	43	21	M24x1,5	17	10
200/150	340	295	235	8 x Ø22	240	285	40	8 x Ø22	275	44	229	56	26	M36x1,5	24	14
300/200	445	400	330	12 x Ø22	295	340	50	8 x Ø22	368	52	264	56	26	M36x1,5	24	14

ATEC dimensions for pad flange DIN 28117 / PN 16

DN	ØA	ØB	ØC	D	ØE	ØG	H	K	L	M	O	P	S	T	SW	F
50/25	165	125	50	4 x Ø18	85	115	30	4 x Ø14	120	23	100	35	16	M18x1,5	11	5
80/50	200	160	80	8 x Ø18	125	165	30	4 x Ø18	155	38	138	39	19	M20x1,5	14	7
100/50	220	180	100	8 x Ø18	125	165	30	4 x Ø18	150	33	138	39	19	M20x1,5	14	7
150/80	285	240	150	8 x Ø22	160	200	36	8 x Ø18	160	27	157	43	21	M24x1,5	17	7
150/100	285	240	150	8 x Ø22	180	220	36	8 x Ø18	170	40	167	43	21	M24x1,5	17	10
200/150	340	295	200	12 x Ø22	240	285	36	8 x Ø22	273	46	229	56	26	M36x1,5	24	14



Results.
No experiments.



Gemco Valve Company
301 Smalley Ave.
Middlesex, NJ 08846
USA

Phone Domestic: 800-654-3626
International: +1 732-733-1143
Fax: +1 732-733-1168

Website: GemcoValve.com