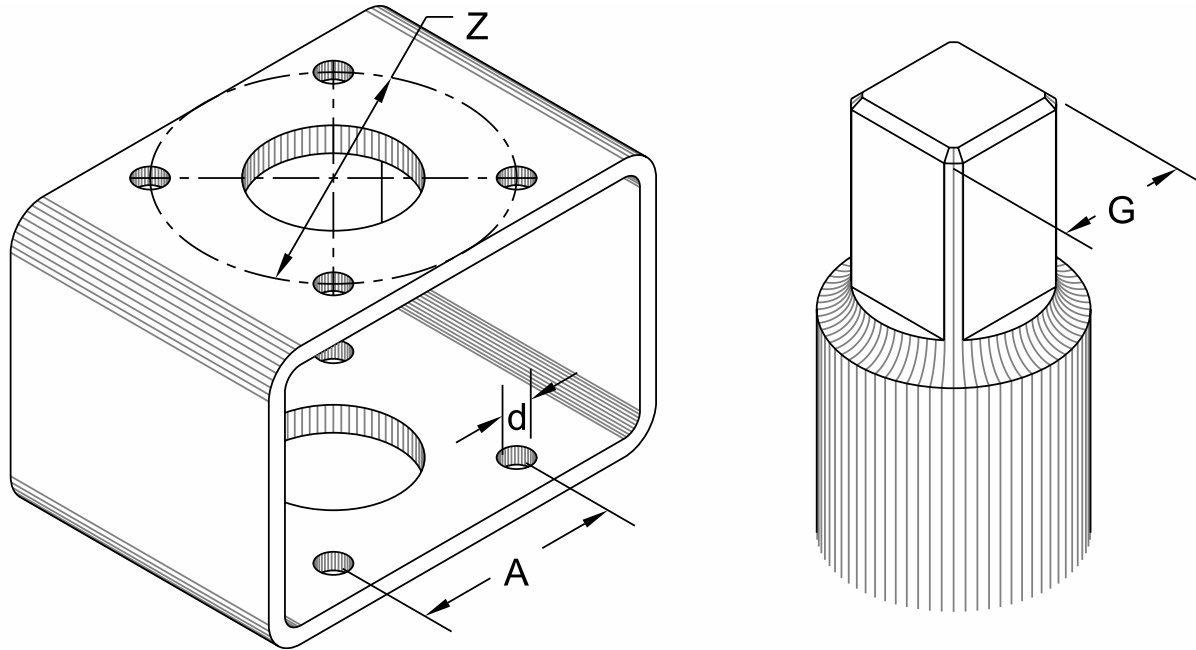


Extract from ISO 5211 Standards

ISO 5211 defines the actuator mounting dimensions and drive square size.



MM INCH	A	Ød	ØZ	Number of Bolts	Bolt Ø	G
F03	25.4 1.00	5.5 7/32	36 1.417	4	M5 10 - 24	9 .354
F04	29.7 1.17	5.5 7/32	42 1.654	4	M5 10 - 24	11 .433
F05	35.4 1.39	6.5 5/16	50 1.969	4	M6 1/4 - 20	14 .551
F07	49.5 1.95	8.5 3/8	70 2.756	4	M8 5/16 - 18	17 .669
F10	72.1 2.84	10.5 7/16	102 4.016	4	M10 3/8 - 16	22 .866
F12	88.4 3.48	12.5 9/16	125 4.921	4	M12 1/2 - 13	27 1.063
F14	99 3.90	17 3/4	140 5.512	4	M16 5/8 - 11	36 1.417
F16	116.7 4.59	21 7/8	165 6.496	4	M20 3/4 - 10	46 1.811

Dimensions in mm and in.