

GEMCO VALVE

301 SMALLEY AVENUE
MIDDLESEX, NJ 08846 U.S.A
(+1) 732-733-1142
WWW.GEMCOVALVE.COM

6" 'P21' Valve

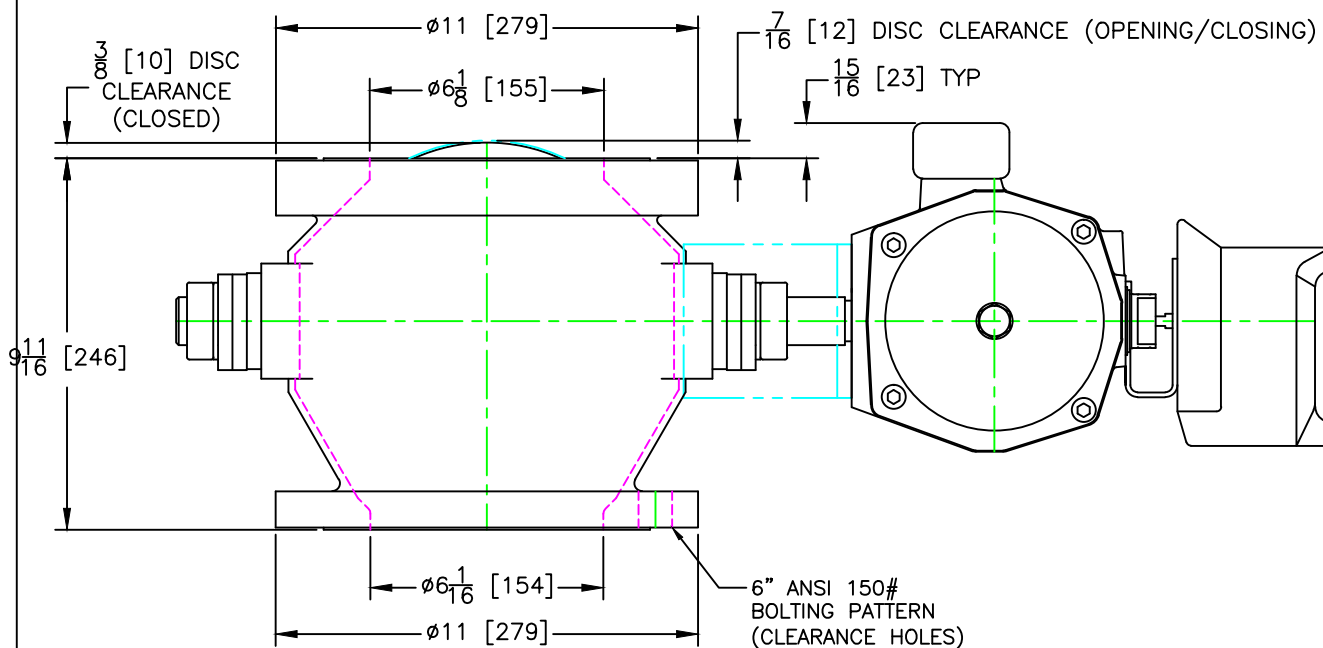
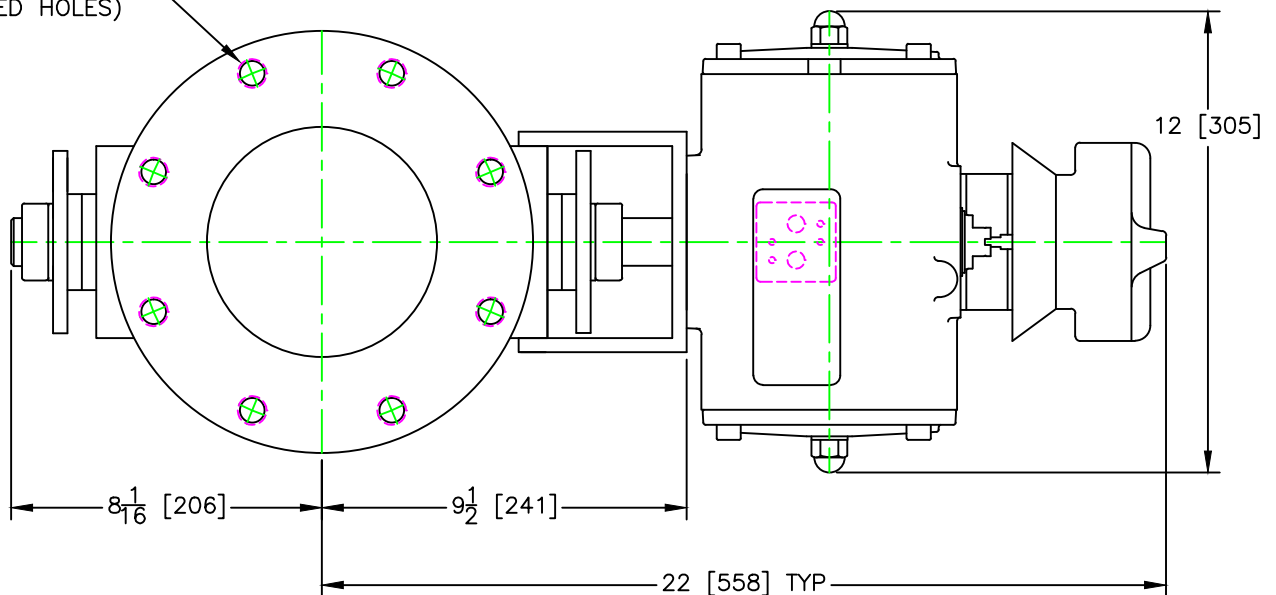
January 2014

Size: A

Scale 1:5

© 2014 Gemco Valve Company, LLC

6" ANSI 150#
BOLTING PATTERN
(TAPPED HOLES)



APPROXIMATE WEIGHT: 160 lbs / 70 kg