

# GEMCO VALVE

301 SMALLEY AVENUE  
MIDDLESEX, NJ 08846 U.S.A  
(+1) 732-733-1142  
WWW.GEMCOVALVE.COM

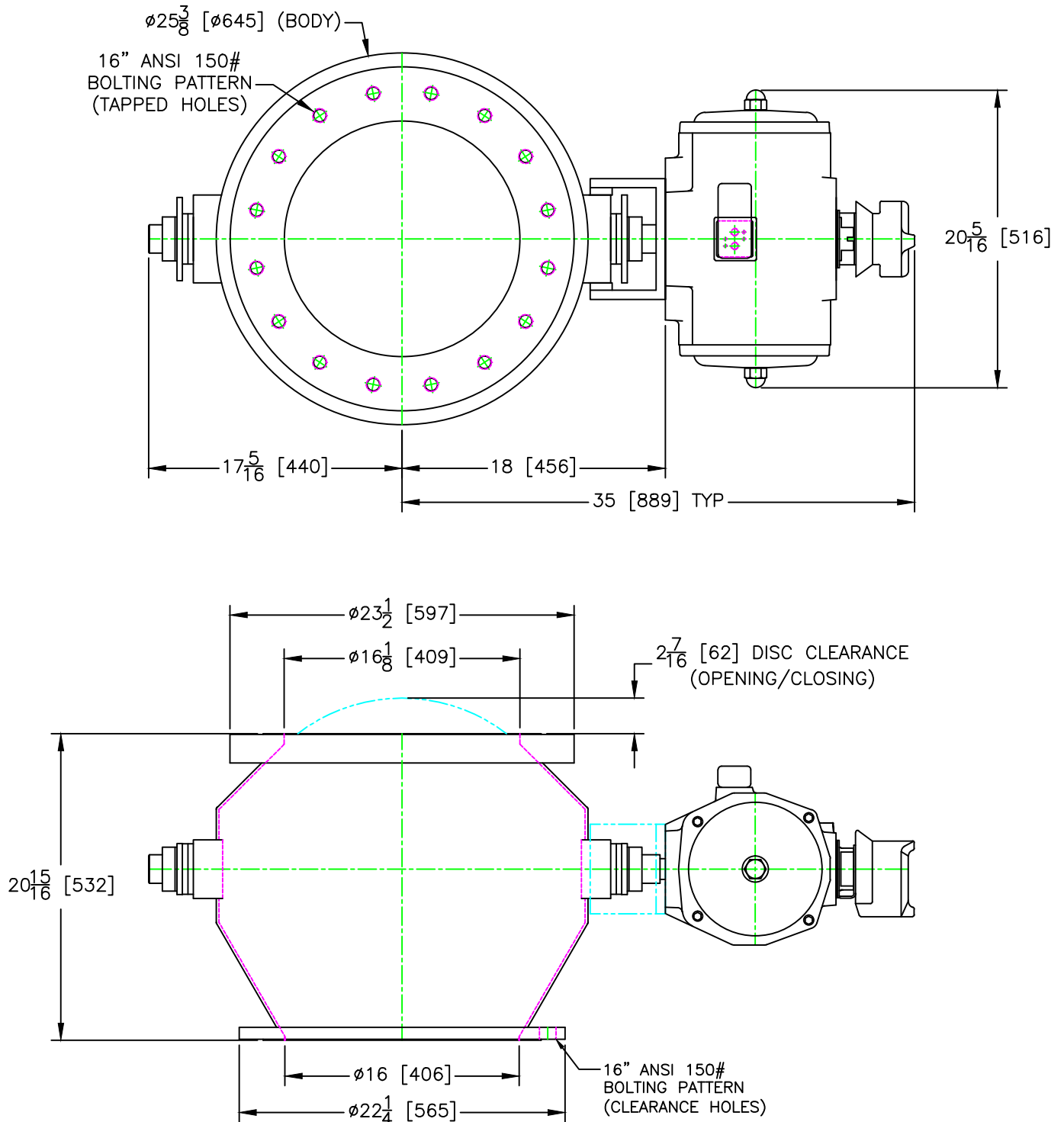
# 16" 'P21' Valve

January 2014

Size: A

Scale 1:10

© 2014 Gemco Valve Company, LLC



APPROXIMATE WEIGHT: 820 lbs / 370 kg